

# Merlin WLM System

## Water Leak Detection



230V or 24V  
Power Input



Wiring/Cable  
Fault Indicator



230V or 24V  
Water Solenoid  
Valve Isolation  
Capabilities



BMS/BAS  
Communications



Standalone or Can  
Be Used With WLMZ  
Range For Multi-Zone



Used With S&S  
WLM Sensing  
Cable Or WLM  
Probes



LED  
Status Indicator



In-Built  
Audible Alarm

## Product Overview

The Merlin WLM system is the S&S Northern Ltd permanent water leak detection system aimed towards commercial properties and residential apartment blocks. The Merlin WLM can be used standalone or part of a larger multi-zone detection system and comes with a clear LED status display.

## Operation Overview

Press reset button to enable water supply. Solenoid valve relay will switch over and the green LED illuminates.

On water leak detection the red LED illuminates and buzzer sounds. Solenoid valve and BMS relay switch, strobe relay closes. The mute button toggles audible alarm (buzzer and strobe). Clicking the reset button will reinstate power to the solenoid valve & open water supply.

On fault detection, such as incorrect wiring or damaged cables, the BMS relay will switch over and the amber LED illuminates. The buzzer activates for 3 seconds with no strobe and the water solenoid valve remains on. Once the fault has cleared, the BMS relay will switch and amber LED will clear.

## Compatibility



### Sensing 4-Core

**WLMFC**  
4-Core  
Plugable Cable  
Fault Detection



### Sensing Cable

**WLMC**  
2-Core  
Pre-Defined Length



### Puck/Probe

**WLMC Probe**  
Sensing Puck /  
Probe



### Solenoids

**GSW**  
Normally Open  
Normally Closed  
24V AC / DC  
230V AC

## Sensitivity

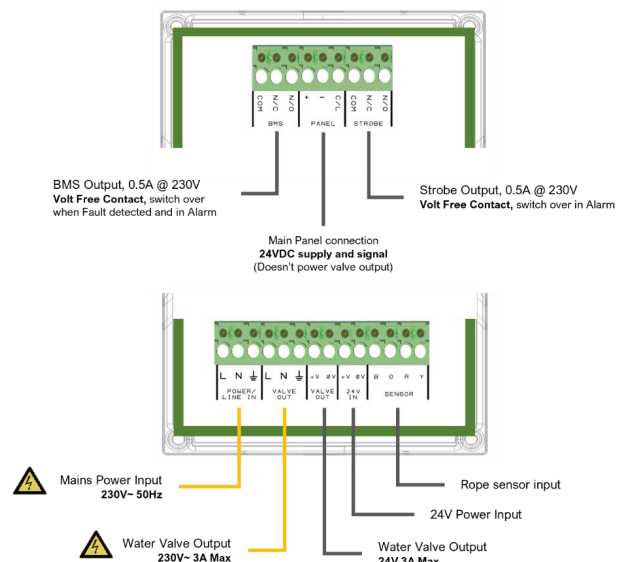
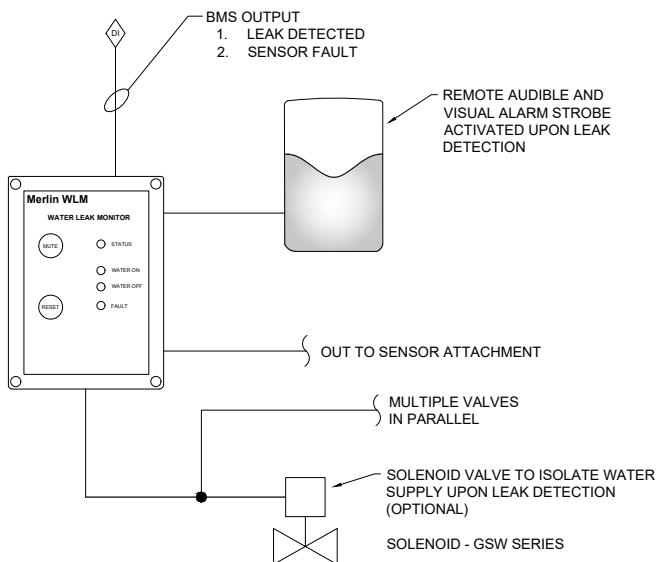
The potentiometer on the circuit board labelled [SENS] can be used to set the sensitivity of the rope sensor.



# Technical Specifications

General Specification	Enclosure Dimensions	151 x 111 x 50mm (5.95 x 4.37 x 1.97")
	Enclosure Material	ABS PA765 (Flame Rating UL94 V-1)
	Weight	TBC
	Approvals	UKCA, ROHS, complies with UL61010
	Display	Single tri-colour LED for Water On, Fault and Alarm
	Buttons	Mute and Reset push buttons mounted under the label
Electrical	Audible Indicator	Internal Buzzer
	Power Supply	230VAC and 24VAC/DC
	Water Solenoid Valve Output	Volt free NC/COM/NO, max 3A @ 230V
	BMS Relay Output	Volt free NC/COM/NO, max 3A @ 230V
LED Indicators	Strobe Relay Output	Volt free NO/COM, max 3A @ 230V
	Power On (RED)	Power LED as part of S&S logo
	Water On	Green
Installation Options	Fault	Amber
	Alarm	Red
User Controls	Pententiometer	Adjustable alarm point
	Reset and Mute	2 momentary push buttons

## Controller Capabilities



## Attachments

Attachment Description	Part Code	Length (M)	Fault Detection (Y/N)
<b>Detection Ropes - Pre Defined Lengths 2-Core</b>			
2M Sensing Cable w/ 2M Lead Cable	WLMC2	2	N
5M Sensing Cable w/ 2M Lead Cable	WLMC5	5	N
10M Sensing Cable w/ 2M Lead Cable	WLMC10	10	N
15M Sensing Cable w/ 2M Lead Cable	WLMC15	15	N
25M Sensing Cable w/ 2M Lead Cable Custom	WLMC25	25	N
Pre-Defined Length Call S&S For Pricing	WLMC**	xx	N
Attachment Description	Part Code	Length (M)	Fault Detection (Y/N)
<b>Detection Ropes - Pluggable 4-Core With Fault Detection</b>			
5M 4-Core Sensing Cable	WLMFC5	5	Y
10M 4-Core Sensing Cable	WLMFC10	10	Y
20M 4-Core Sensing Cable	WLMFC20	20	Y
50M 4-Core Sensing Cable	WLMFC50	50	Y
100M 4-Core Sensing Cable	WLMFC100	100	Y
Attachment Description	Part Code		
<b>Detection Probe / Puck</b>			
Merlin Water Leak Puck / Probe	WLMC Probe		

Find out more  
**S&S Northern Ltd**  
[www.snsnorthern.com](http://www.snsnorthern.com)

Head office:  
 Wallace Francis House, Barnes Wallis Way,  
 Lancashire, PR7 7JN  
 Tel: 01257 470983  
 Email: [info@snsnorthern.com](mailto:info@snsnorthern.com)

