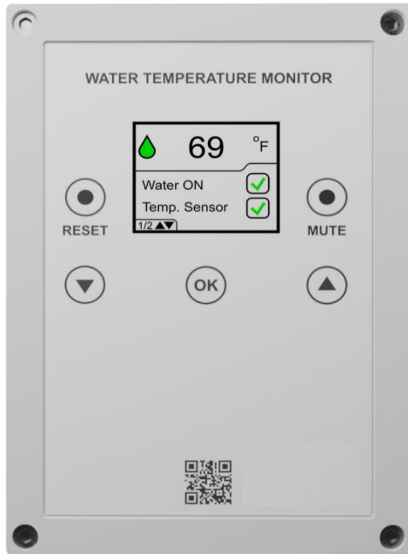


# Merlin WTM

## Spec Sheet

### Water Temperature Monitor



24V or 230V  
Power Input



Low Temperature  
Cut Off Feature  
Available



Valve Isolation  
Capabilities (With  
S&S Supplied  
Valve)



Pre-alarm options



Adjustable  
Temperature Set  
Points



Dry Alarm Relay  
& 0-10V Analog Output



Simple & Quick  
Setup



In-Built  
Audible Alarm

## Product Overview

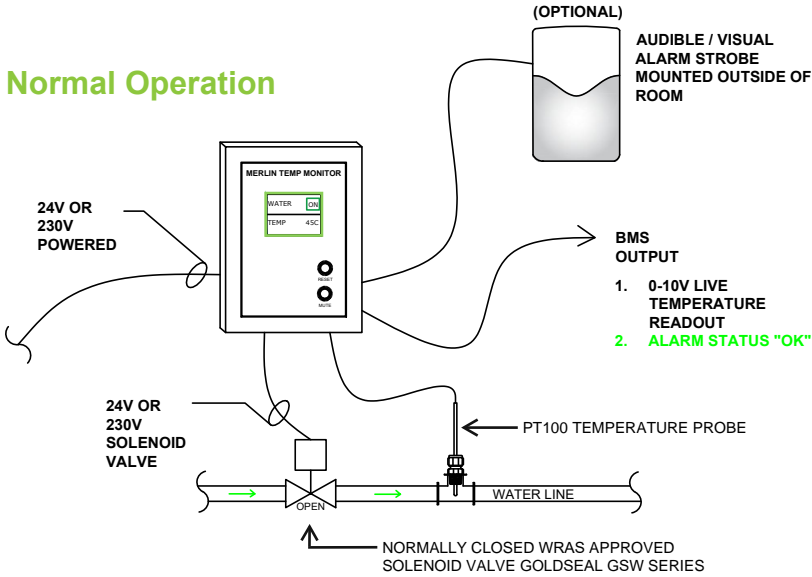
The Merlin Water Temperature Monitor WTM is a carefully designed device that functions by monitoring and controlling the temperature of water in various applications. It is designed to be used in health care facilities, where it can help ensure that the water supply system is safe and reliable. The WTM features a simple user interface that allows for easy programming of minimum and maximum temperature settings, which can be adjusted via internal switches and fascia controls upon installation. When the temperature falls outside of these settings, an audible alarm will sound, and the water supply will be turned off until the issue is resolved. The Merlin WTM includes a manual reset button on the front fascia that can be used to clear any alarm conditions and continue normal operation. The WTM also features a colored display that provides a continuous readout of the current temperature reading. Additionally, the WTM provides adaptable relays and 0-10V output that can be tied into any Building Management System (BMS) for remote monitoring and control.

## Technical Specifications

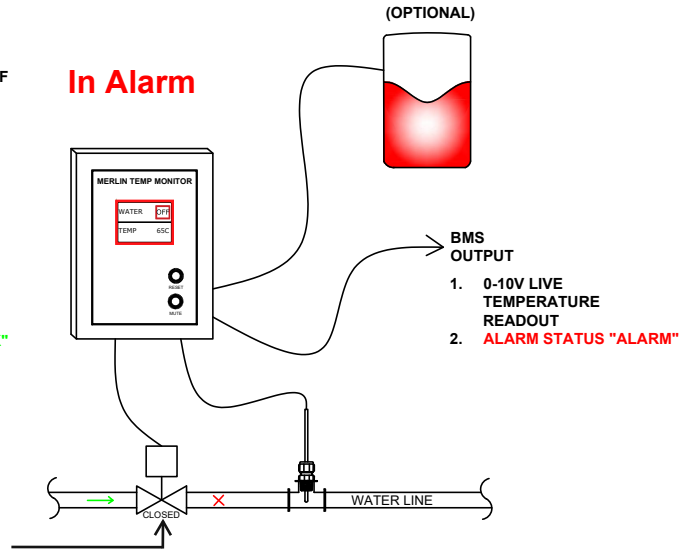
General	
Size: (H x W x D)	151 x 111 x 50mm
Housing Material:	ABS PA765 (Flame Rating UL94 V-1)
Mounting:	Wall/Surface Mounted. Indoor use only – Outdoor using weatherproof cover.
Display:	1.8" Color Display
Visual Indicators:	Power On LED
Audible Buzzer:	60dB @ 1m. Quiet conditions
Buttons:	Up, Down, OK, Reset, Mute
Power Consumption:	Power Consumption:
Power Input #1:	100-120V~ 50-60Hz
Power Input #2:	24VAC
Internal Fuse:	Anti-Surge 3.15A @ 250Vac
BMS dry contact	3A @ 230V~
Relays	One Relay - 3A @ 230V~
Operating:	-20 ~ 50°C / 14 ~ 122°F 20 ~ 95% RH (non-condensing)
Typical	Min. 18AWG / 75°C min / Tinned copper.
Electrical Safety	CE / UKCA / IEC BS EN 61010-1

# Typical Setup

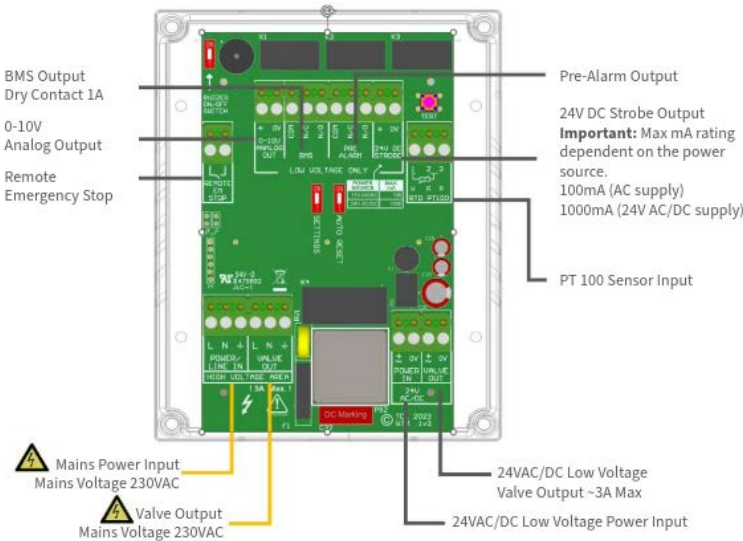
## Normal Operation



## In Alarm



## Circuit Board Overview



## Water Solenoid Valves Available

S&S Northern supply the GoldSeal Normally Closed Water Solenoid Valves (1/2" – 2"). These valves are designed for effective water flow control and remain closed when not energized. They are WRAS certified, meeting UK standards for water safety and quality. All GoldSeal valves are available in 230V, 24VAC, and 24VDC options, providing flexibility for different systems.

Find out more  
**S&S Northern Ltd**  
[www.snsnorthern.com](http://www.snsnorthern.com)

Head office:  
 Units 1-4 Barnes Wallis Way, Buckshaw  
 Village, Chorley, Lancashire, PR7 7JN

Tel: 01257 470983  
 Email: [info@snsnorthern.com](mailto:info@snsnorthern.com)

