

NO2PS Datasheet

Nitrogen Dioxide ParkSafe Detector



24VDC Power Input



Used With The
ParkSafe Controller



Traffic Light
Indicator Display
Changes Color
Dependent On Gas
Levels



BMS
Communications



Modern & Compact
Design



Up To 16 Detectors
Can Be Linked Together



Plug & Play
Installation

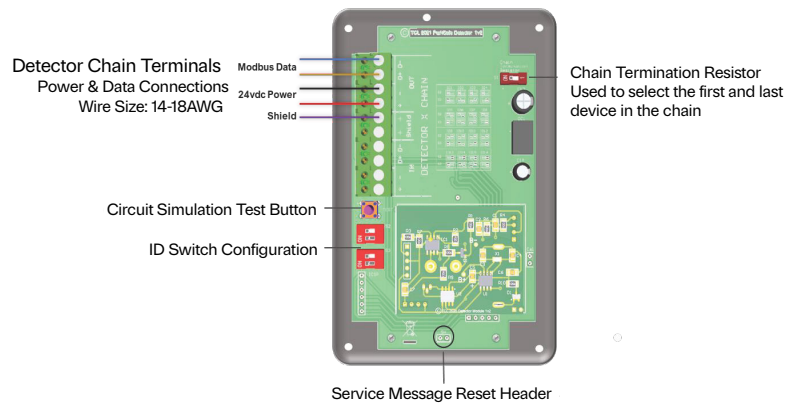


End of Operational Life
& Annual Service
Notifications to
ParkSafe Controller

Product Overview

The ParkSafe range of detectors work in combination with the Merlin ParkSafe, a Gas Detection & Ventilation Controller specifically designed for Parking Garage CO & NO2 monitoring. The NO2PS features a electrochemical sensor for industrial and commercial indoor applications. Compact, modern, digital design makes the units aesthetically pleasing and easy to install.

Popular Applications



Technical Specification

General							
Model:	ParkSafe Detector						
Gases:	Nitrogen Dioxide						
Size: (H x W x D)	125mm x 80mm x 35mm						
Housing Material:	ABS						
Mounting:	Wall Mounting – No limits - Non-Hazardous Areas						
Weight:	45g						
User Interface							
Display:	LED						
Visual Indicators:	Power / Alarm / Fault						
Audible Alarm:	None						
Power Supply							
Power Consumption:	15mA Max @ 24Vdc						
DC Power:	12-32Vdc (24vdc Nominal)						
Internal Fuse:	N/A						
Equipment							
Pollution Degree:	2						
Equipment Class:	2						
Environmental							
Ingress Protection:	Not Formally Evaluated						
Operating:	-10 ~ 50°C / 14 ~ 122°F 30 ~ 80% RH (non-condensing)						
Storage:	-25 ~ 50°C / -13-122F° up to 95% RH (non-condensing)						
Altitude Rating:	2000m						
Wiring							
Typical	Copper 18AWG (0.75mm ²) Min. 8x screw terminals.						
Other							
Communication	RS485 MODBUS RTU						
Sensor Specification							
Factory Calibration Conditions	25° ± 5°C - 77° ± 41°F (40-70% RH)						
Sensor Type	Electromechanical						
Gas Sensor	Measuring Range (ppm)	Calibration Gas	Response (T90)	Recovery (T10)	Alarm: 1 (Pre alarm warning)	Alarm: 2	*EOL (Years)
Nitrogen Dioxide (NO ₂)	0-20	5ppm NO ₂	<60s	<50s	▲0.7ppm	▲2ppm	3



Area of coverage

Consider the coverage required and function of the area. Emphasis should be placed on airflow patterns and correct placement, not perceived detecting ranges.

The NO₂PS monitor should be installed approximately 1.2-1.5m from the ground level.

Find out more

S&S Northern Ltd

www.snsnorthern.com

Head office:

Units 1-4 Barnes Wallis Way, Buckshaw Village,
Lancashire, PR7 7JN

Tel: 01257 470983

Email: info@snsnorthern.com

